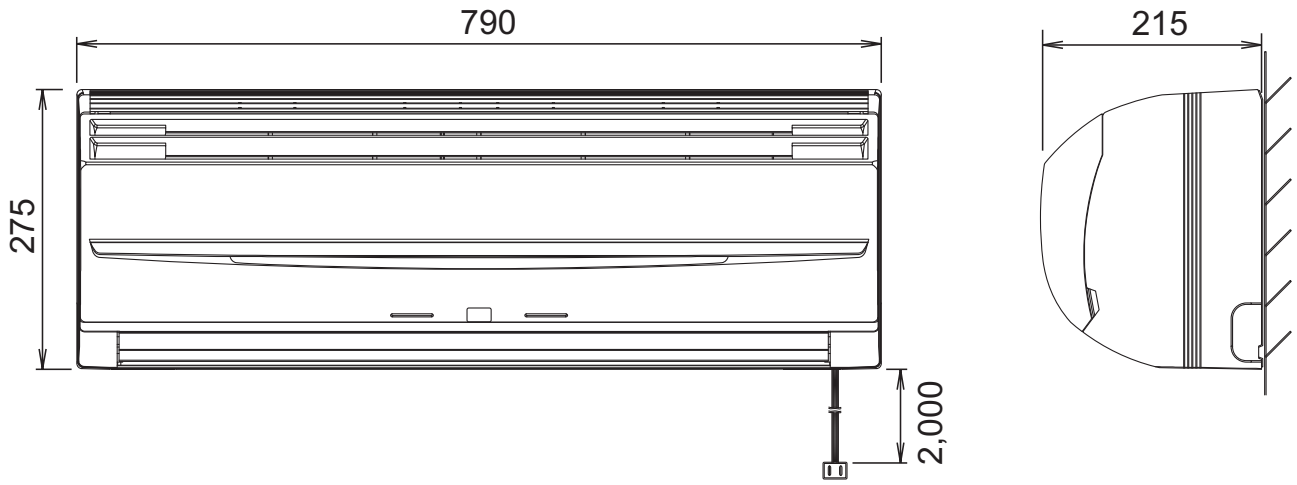


4. DIMENSIONS

■ MODEL : AS*A14LC, AS*A18LC

(Unit : mm)



■ MOUNTING POSITION

