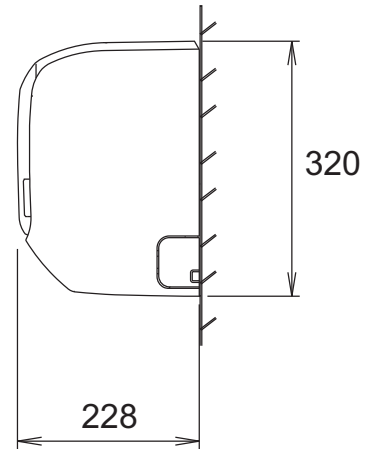
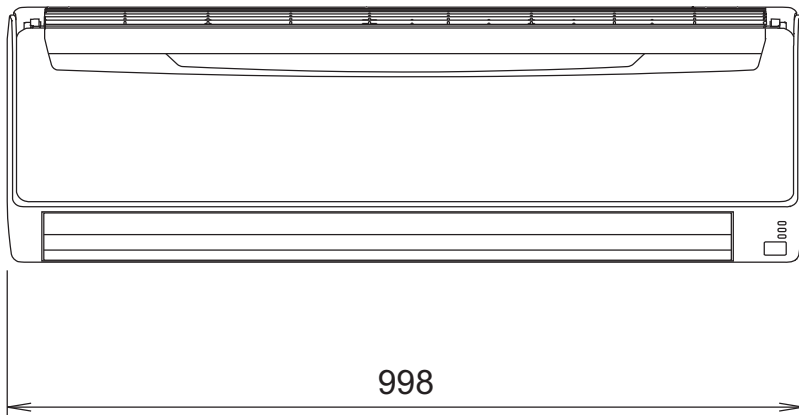


## 4. DIMENSIONS

■ MODEL : AS\*A24LC, AS\*A30LC

(Unit : mm)



## ■ MOUNTING POSITION

